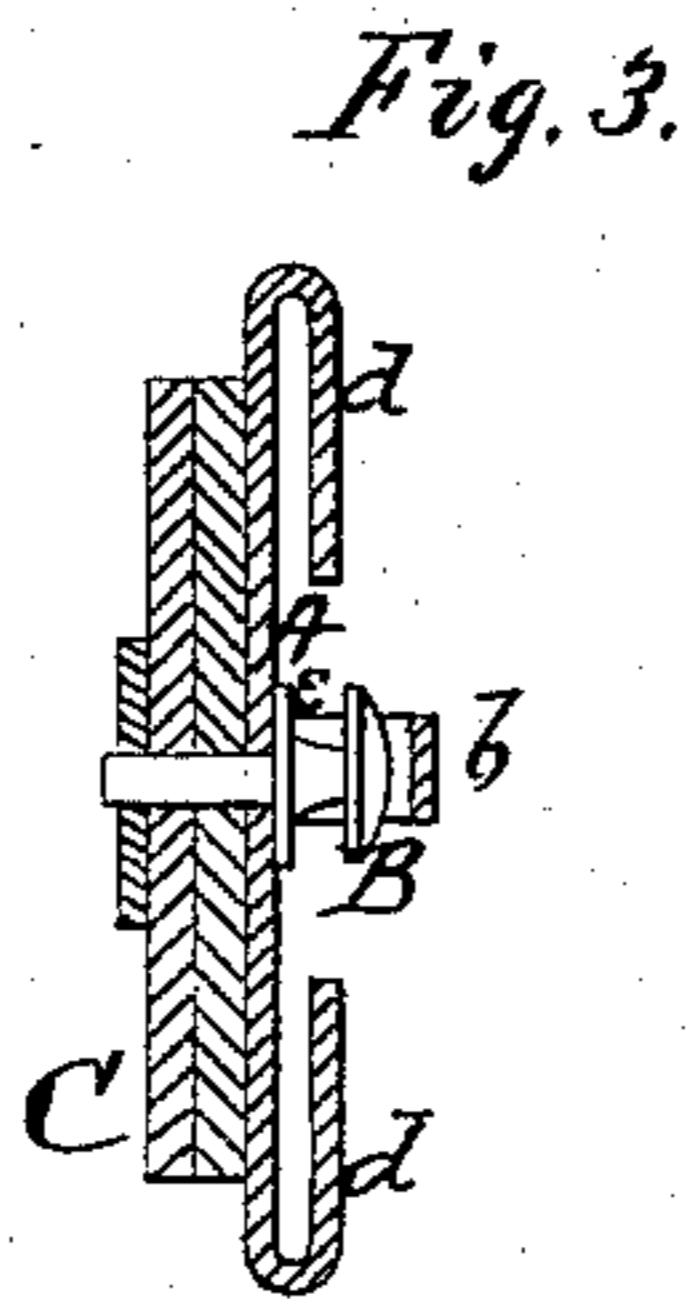
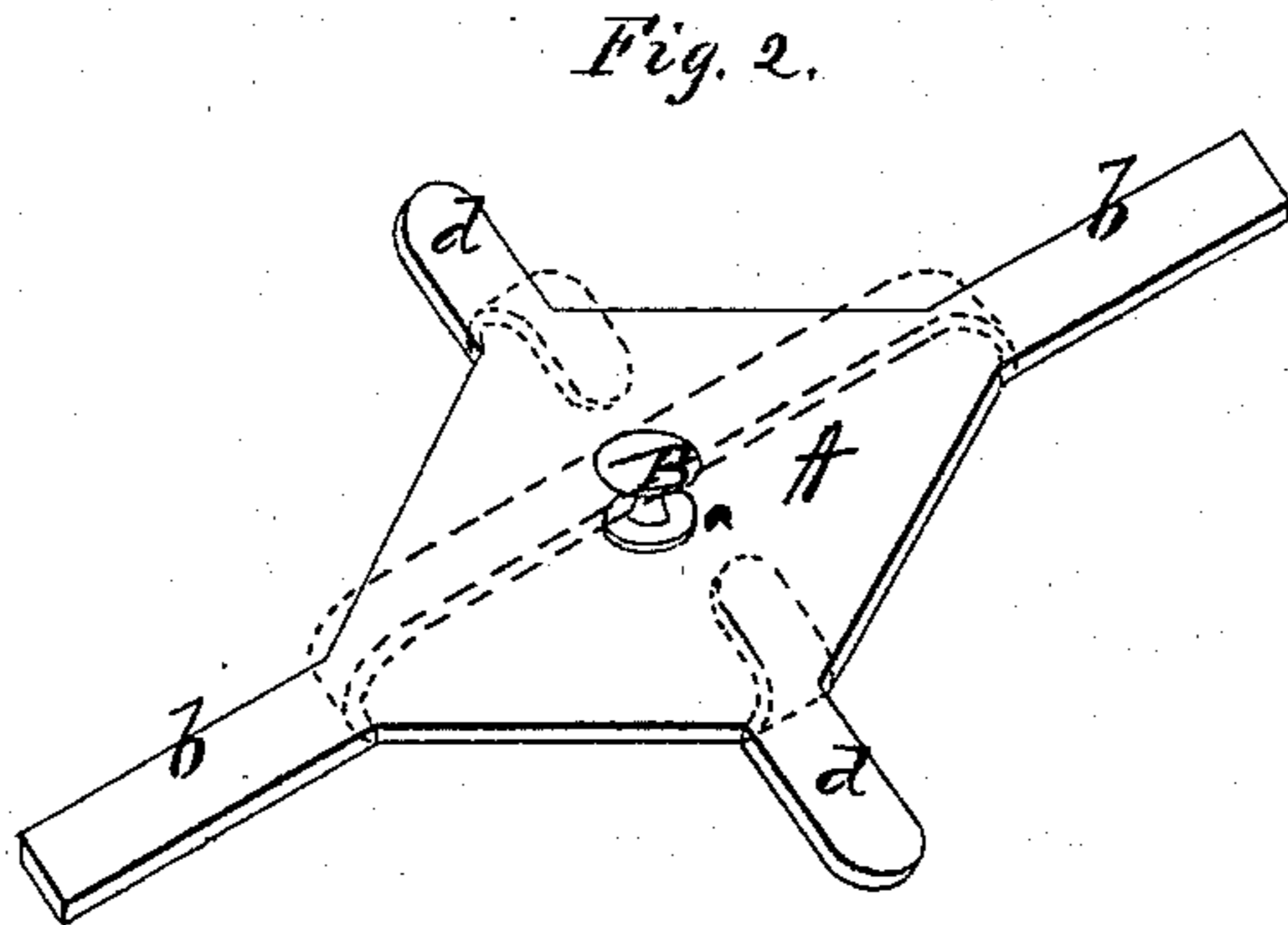
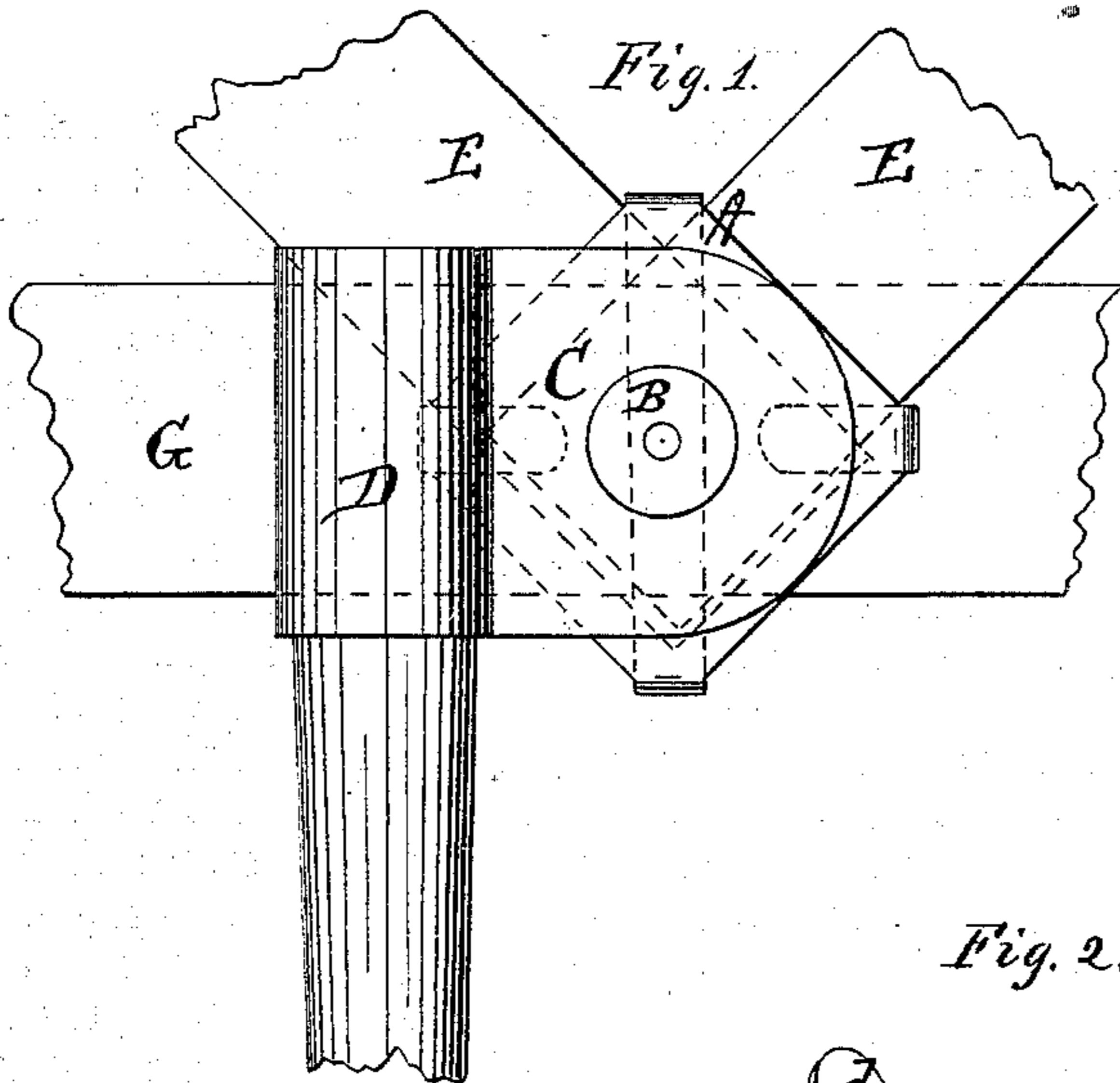


HENRY METCALFE.

Scabbard Frogs.

No. 125,604.

Patented April 9, 1872.



Witnesses:

Henry A. Miller,  
C. L. Evert.

Inventor

Henry Metcalfe  
per  
Alexander M. M. M.

Attorneys.

# UNITED STATES PATENT OFFICE.

HENRY METCALFE, OF NEW YORK, N. Y.

## IMPROVEMENT IN SCABBARD-FROGS.

Specification forming part of Letters Patent No. 125,604, dated April 9, 1872.

*To all whom it may concern:*

Be it known that I, HENRY METCALFE, of New York, in the county of New York and in the State of New York, have invented certain new and useful Improvements in Scabbard-Frogs for Cross-Belts and Waist-Belts, separately and together; and do hereby declare that the following is a full, clear, and exact description thereof, reference being had to the accompanying drawing and to the letters of reference marked thereon making a part of this specification.

The nature of my invention consists in the construction and arrangement of a swivel-frog for sword, bayonet, or other scabbards, so that the same may be worn with either or both shoulder and waist belts, as will be hereinafter more fully set forth.

In order to enable others skilled in the art to which my invention appertains to make and use the same, I will now proceed to describe its construction and operation, referring to the annexed drawing, in which—

Figure 1 is a side view, showing the frog with the bayonet-scabbard, shoulder and waist belts attached. Fig. 2 is a perspective view, showing the frog as struck out from one piece of sheet-metal. Fig. 3 is a section through the frog.

I stamp or otherwise cut out from sheet-steel, or other suitable material, a blank, A, in the form of a square, as shown, with a central hole or perforation, *a*, and provided with tongues *b b* and *d d* projecting from its salient angles. The distance between these tongues should be about equal with the width of the belting used. Two alternate tongues, *b b*, are each a little longer than half the diagonal of the square, while the other two tongues *d d* are about half an inch shorter. They are all then bent over one hundred and eighty degrees on the line of the corresponding diagonal, so that they may be parallel to the face of the main plate, the tongues *b b* about one-quarter of an inch, and the tongues *d d* about one-eighth of an inch from the plate. Through the central hole *a* is introduced the stem of a button-pivot

rivet, B, which is held by the shoulder *e* and the brazing of the tongues *b b* far enough above it to admit easily one thickness of the belting between said united tongues and the top of the button. The stem of the rivet is then passed through a leather lug, C, projecting from the upper end of the scabbard D. One end of the shoulder-belt E, provided with a button-hole, is introduced under one of the tongues *d* and between it and the united tongues *b b*. It is then passed between the button-head B and the tongues *b* until the button can be engaged in the button-hole. The other end of the same belt, with the other side uppermost, is passed between the other tongue *d* and the tongues *b*, and engaged in the same manner as the first end. The waist-belt G is slipped under the united tongues *b b* and over the tongues *d d*. The main plate A may be circular as well as polygonal, and may be cut out in one piece with the tongues, or they may be made separately and fastened on in any suitable or desirable manner. Their number may be varied at pleasure and the whole thing may be, if desired, attached directly to the scabbard, be it for sword, bayonet, or other weapon, by riveting the button-pivot thereon. By means of such an attachment the sword, bayonet, or other weapon may be worn with shoulder-belt or waist-belt or both, as may be desired, and the scabbard allowed free play to adapt itself to every position of the wearer.

Having thus fully described my invention, what I claim as new, and desire to secure by Letters Patent, is—

A metallic or other plate, A, provided with central perforation *a* and tongues *b b* and *d d*, or their equivalents, and used in combination with a button-pivot rivet, B, substantially as and for the purposes herein set forth.

In testimony that I claim the foregoing I have hereunto set my hand this 7th day of October, 1871.

HENRY METCALFE.

Witnesses:

CHAS. P. HILL,  
R. G. SHURTLEFF.